

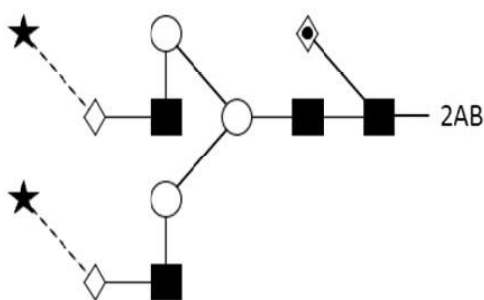
Certificate of Analysis

LudgerPure™ 2AB Labeled A2F Glycan

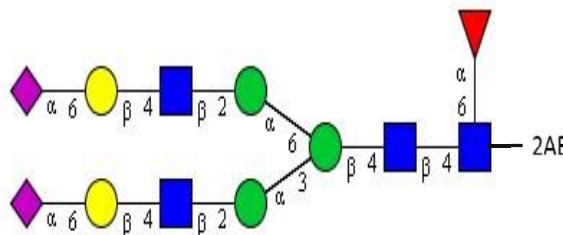
Cat. #: CAB-A2F-01
 Size: approx. 100 pmol

Batch: B381-02
 Expiry: 1st Aug 2018

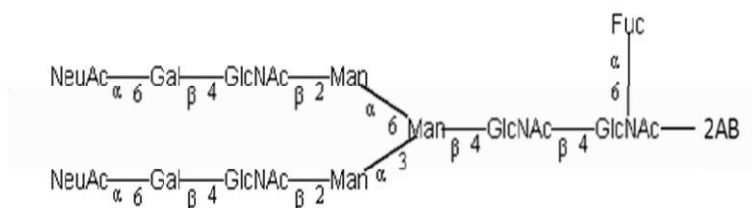
Structure



Oxford Notation



CFG Notation



Text Notation

Purity: 97.47% 2AB labeled A2F glycan, as assessed by UHPLC - see Fig 1.

Amount: Sample vial determined to contain 109.9 pmols A2F glycan – Test performed 2nd August 2013.

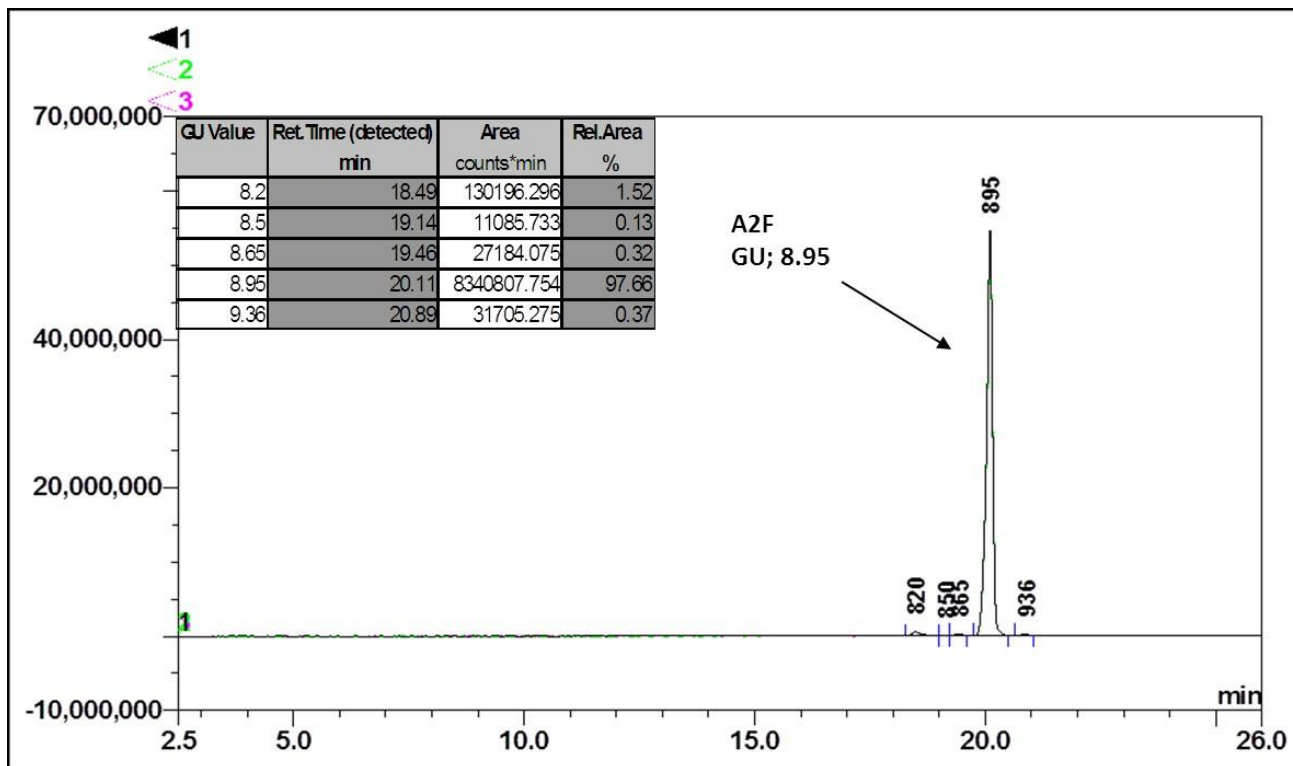


Figure 1: HILIC HPLC profile of 2AB labelled A2F glycan (see method conditions below) (Cat. #: CAB-A2F-01, Batch B381-02).

**A2F glycan structure identified by MALDI, MS & HPLC (GU value comparison to GlycoBase). This structure is drawn according to the scheme developed by Oxford-Dublin Glycobiology Laboratory (see Fig 2).*

2-AB A2F peak seen above, eluted at 20.11 minutes, under the following conditions:

HPLC Running Conditions:

Column: Waters BEH Glycan 1.7µm column (150mm) Flow:

0.56mL/min.

Temperature: 60 °C

Solvent A: 50mM ammonium formate pH 4.4

Solvent B: 100 % acetonitrile

Gradient:

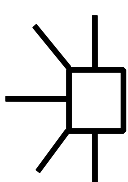
Time (min)	%B
0.0	78.0
1.5	78.0
24.8	58.0
25.8	40.0
25.9	78.0
31.0	78.0

Detector: Dionex FLD-3000

Excitation wavelength: 250 nm

Emission wavelength: 428 nm

<i>Symbol for sugar</i>	<i>Fluorescent label</i>
□ Glc	2AB 2-aminobenzamide
■	2AA 2-aminobenzoic acid
★	
◇	
◆	
◊	
○	—
△	⋯
	~
	~



GlcNAc	<i>Linkage position</i>		
NeuNAc	6	8	
Gal	4		
GalNAc	3		<i>Linkage type</i>
β-linkage		2	
Fuc (deoxy galactose)			
Man			α-linkage
unknown β-linkage			
Xylose unknown α-linkage			

Figure 2: GlycoBase glycan structure key.