

## Certificate of Analysis

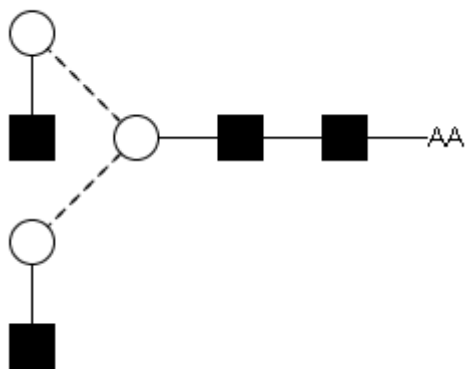
### LudgerPure™ 2AA Labeled NGA2 Glycan

Cat. #: CAA-NGA2-01

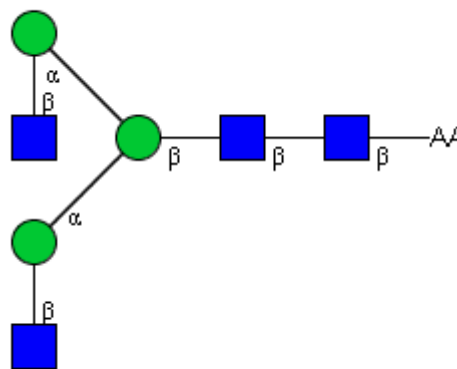
Batch: A544-01

Size: approx. 100 pmol

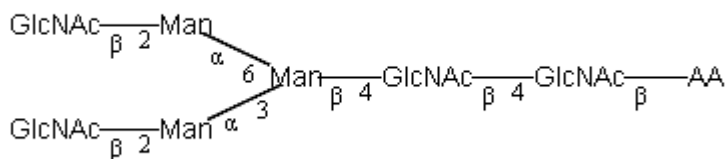
#### Structure



Oxford Notation

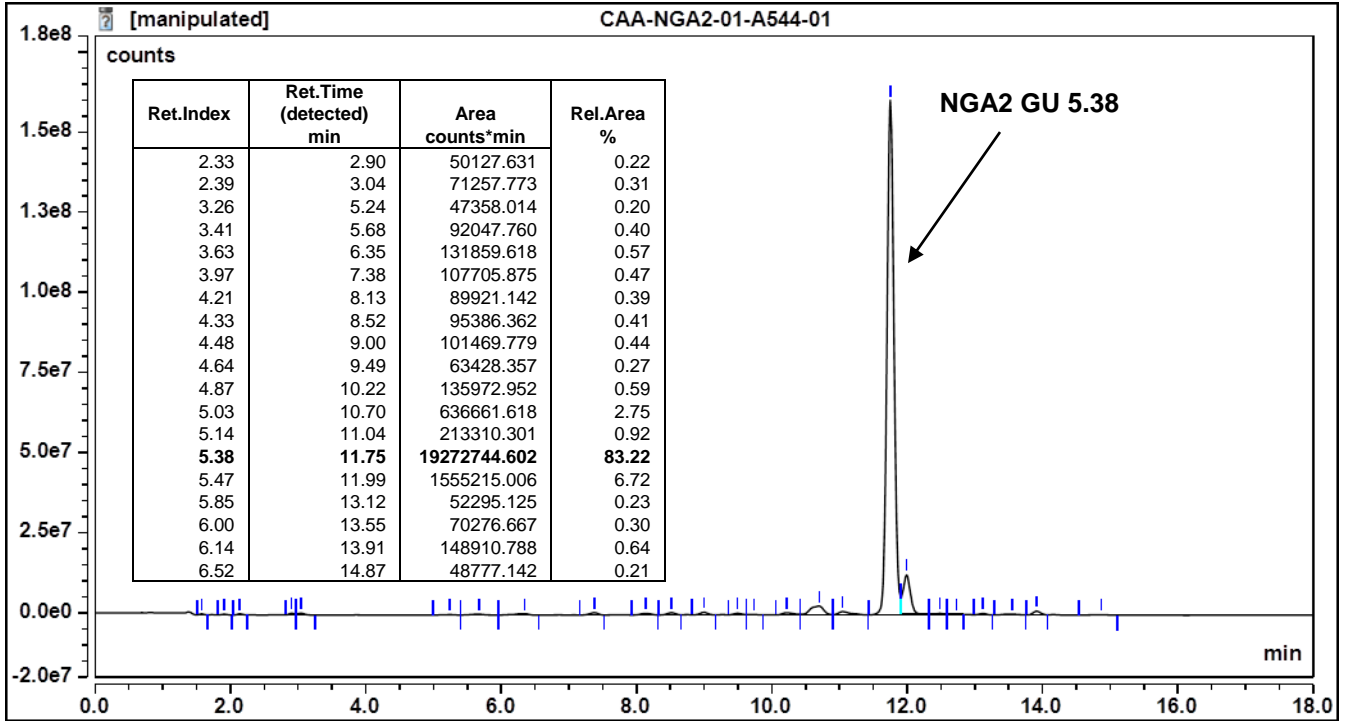


CFG Notation



Text Notation

**Purity:** 83.2% 2AA labeled NGA2 glycan, as assessed by HPLC - see Fig 1.



**Figure 1:** HILIC HPLC profile of 2AA labelled NGA2 glycan (see method conditions below)

(Cat. #: CAA-NGA2-01, Batch A544-01).

*\*NGA2 glycan structure identified by MALDI, MS & HPLC (GU value comparison to GlycoBase). This structure is drawn according to the scheme developed by Oxford-Dublin Glycobiology Laboratory (see Fig 2).*

**2-AA NGA2 peak seen above, eluted at 11.75 minutes, under the following conditions:**

Column: Waters BEH Glycan 1.7µm column (150mm)

Flow: 0.56mL/min.

Temperature: 60 °C

Solvent A: 50mM ammonium formate pH 4.4      Solvent B: 100 % acetonitrile

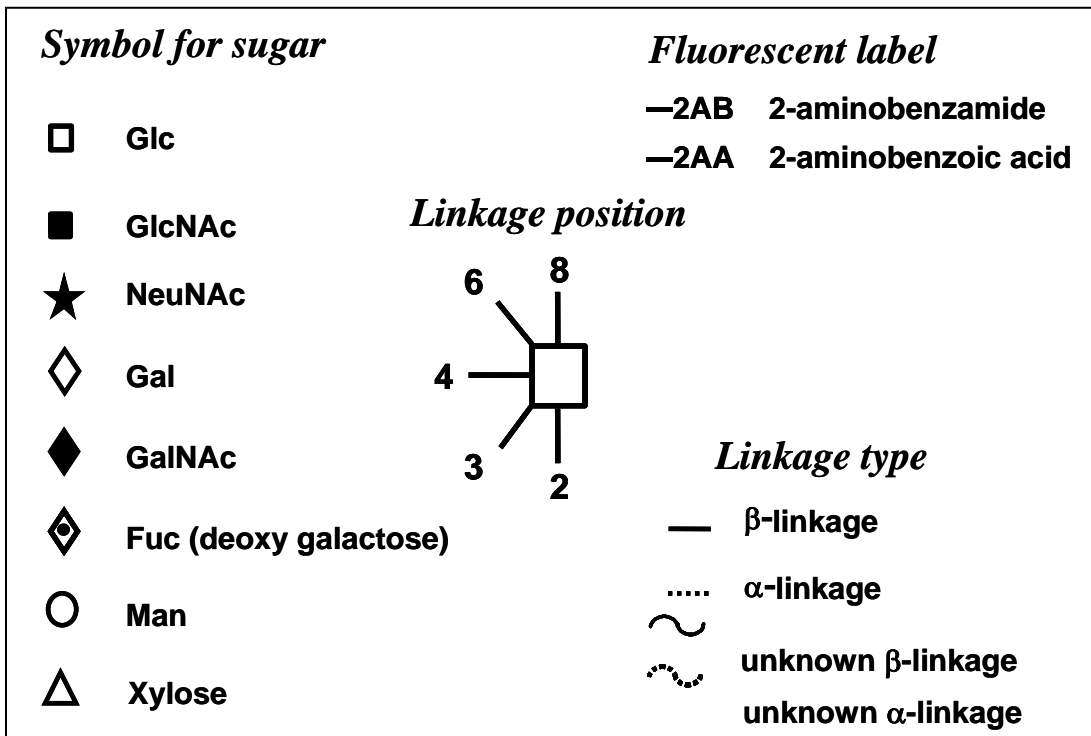
Gradient:

Time (min)	%B
0.0	78.0
1.5	78.0
24.8	58.0
25.8	40.0
25.9	78.0
31.0	78.0

Detector: Dionex FLD-3000

Excitation wavelength: 250 nm

Emission wavelength: 428 nm



**Figure 2:** GlycoBase glycan structure key.